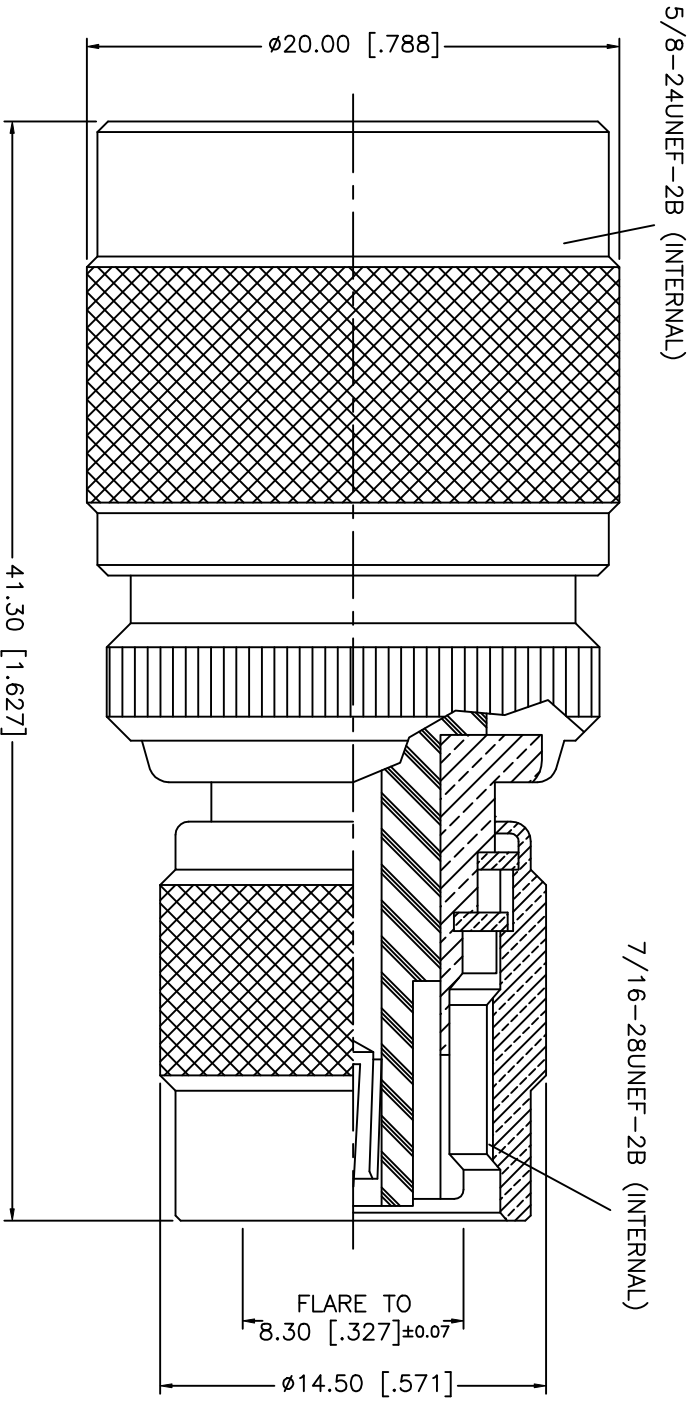


REV.	DATE	DESCRIPTION
NC	07/15/02	INITIAL RELEASE



8	DESCRIPTION	MATERIAL	FINISH	UNLESS OTHERWISE SPECIFIED DIMENSIONS ARE IN MILLIMETERS	APPROVALS	DATE	TITLE	SIZE	FSCM NO.	DWG. NO.	REV.
7	WASHER	BRASS	NICKEL	DIMENSIONS IN [] ARE IN INCHES FOR CUSTOMER REFERENCE ONLY	DRAWN	G.R.S.	N PLUG TO TNC REVERSE POLARITY PLUG ADAPTOR	A	99001	242133RP	NC
6	GASKET	RUBBER	RED		CHECKED			ISSUED			
5	RETAINER RING	BER. COPPER	NATURAL		UNLESS OTHERWISE SPECIFIED TOLERANCES FOR INCHES ARE: .XXX = ± 0.005" .XX = ± 0.010" .X = ± 0.020"						
4	CONTACT PIN	PHOS. BRONZE	GOLD		DO NOT SCALE DRAWING						
3	INSULATOR	TEFLON	NATURAL								
2	SHELL/BODY	BRASS	NICKEL								
1	DESCRIPTION	MATERIAL	FINISH								

Amphenol - Connex
CONNECTOR CORPORATION

SCALE: NA PART NO. 242133RP SHEET 1 OF 1